

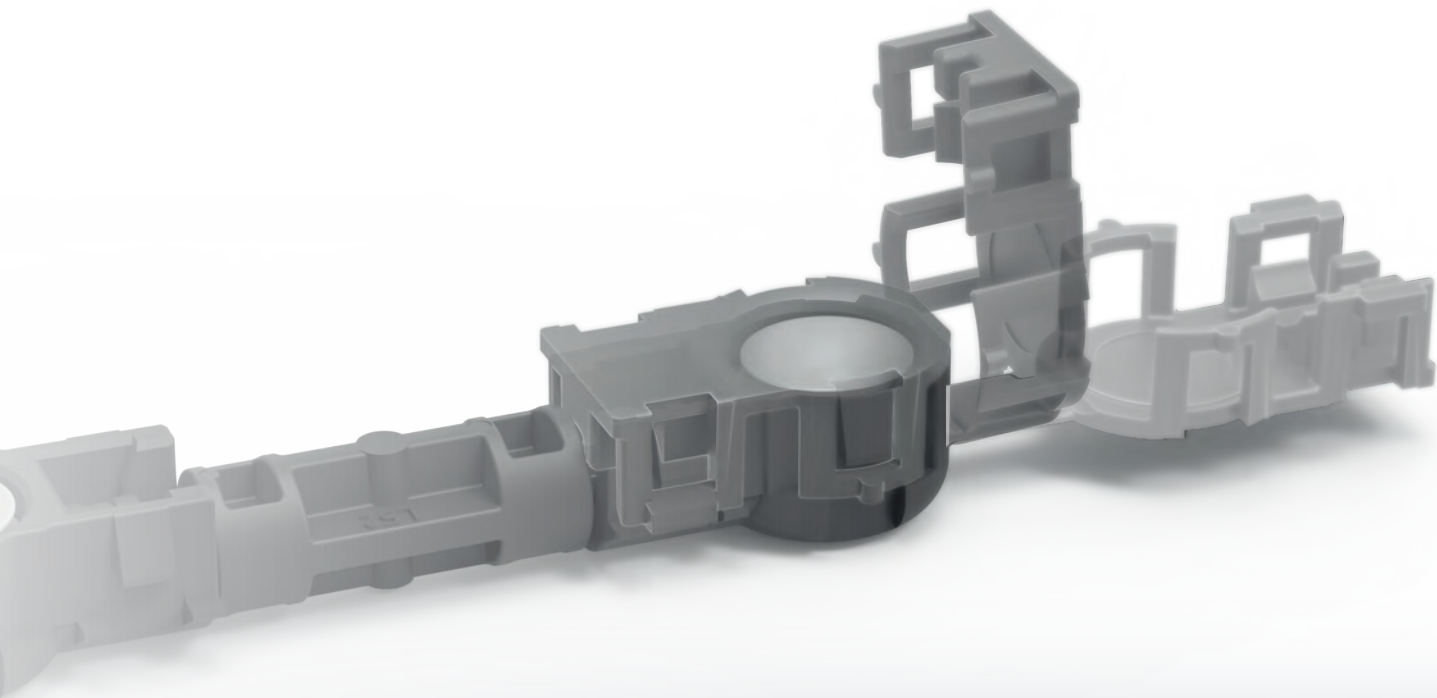
PRODUCT INFORMATION

MODULAR CONNECTING ROD

For unlimited possibilities



ARaymond ™
MORE THAN FASTENING



OVERVIEW

Application	p.4
Environment	p.5
Modular 3 part solution	p.6
Easy assembly	p.8
Full-scale adaptability	p.9
Application possibilities	p.10
Technical specifications	p.11
Key advantages	p.12
ARaymond, close to you everywhere	p.14
Your contacts worldwide	p.15

APPLICATION

WHEEL MOVEMENT
IS TRANSFERRED TO HEIGHT SENSOR
FIXED ON THE CAR BODY
FOR DYNAMIC SUSPENSION
& SMART LIGHTING APPLICATION



ENVIRONMENT

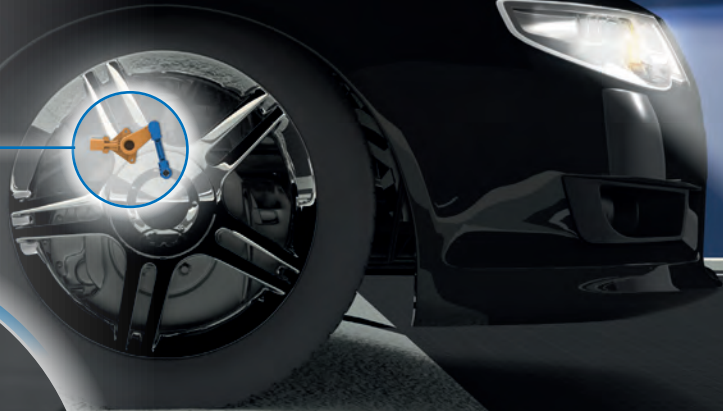
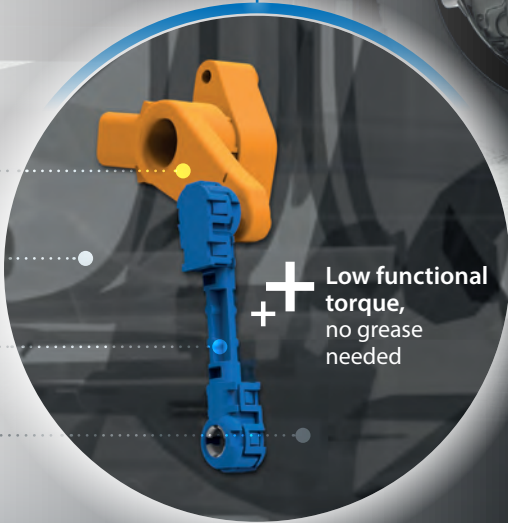
The connecting rod is fixed between the suspension arm and the height sensor, and can be assembled automatically or manually at the Tier or OEM.

Height sensor.....

Car body.....

Connecting rod.....

Suspension arm.....



MODULAR 3 PART SOLUTION

1 Clip

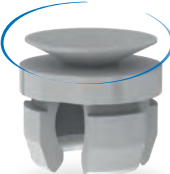
Gap and wear compensation ensured by clip spring effect.

Pull-out force
> 100 N



+
+ Reduced friction,
no grease needed

Jamming effect
+
+



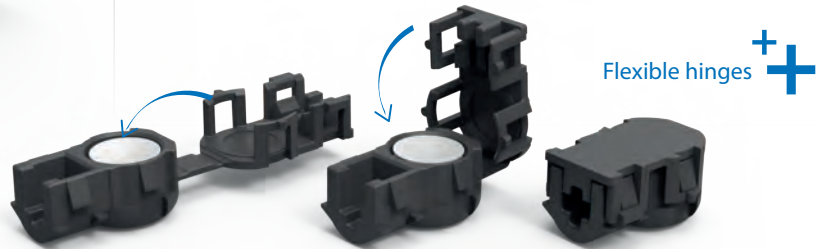
+
+ Integrated spring effect





3 Clip holder

Orientation management with the locking system of the clip holder.



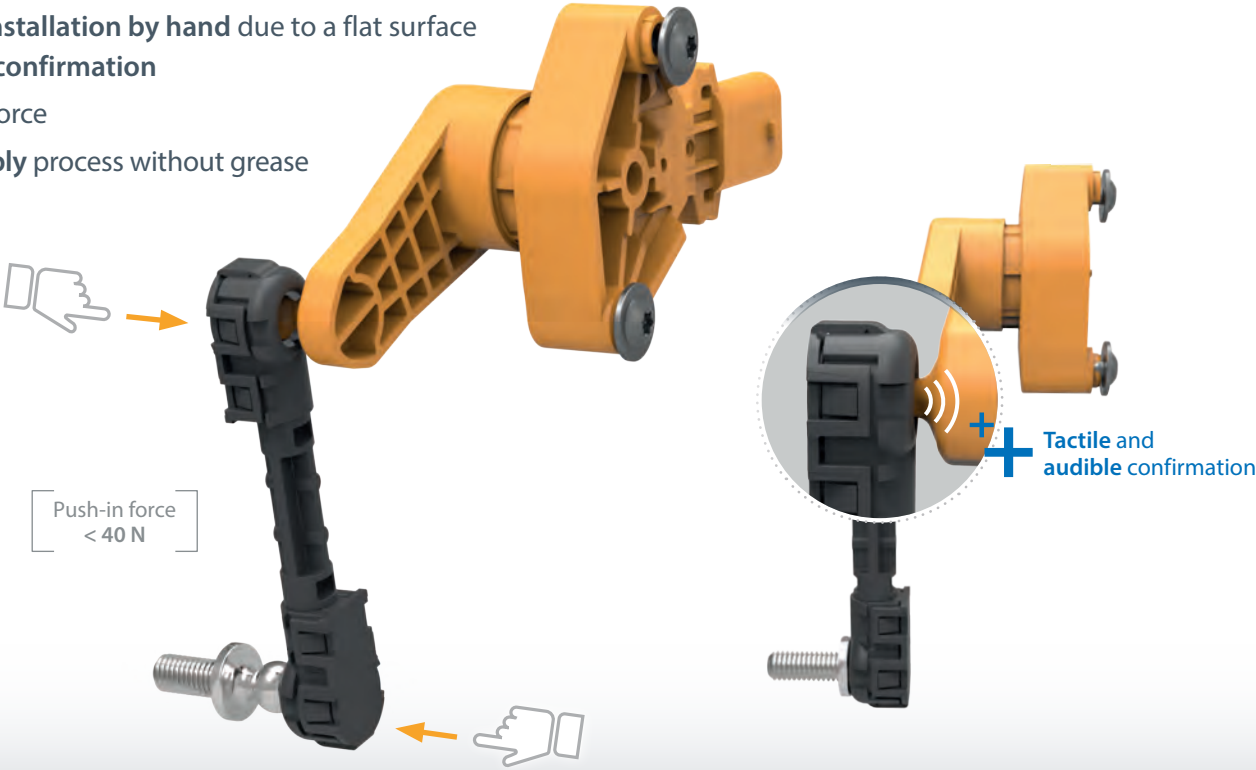
2 Axis

Customized shape of the axis.



EASY ASSEMBLY

- Ergonomic installation by hand due to a flat surface and audible confirmation
- Low push-in force
- Clean assembly process without grease



FULL-SCALE ADAPTABILITY



Unlimited
possibilities by various:

LENGTHS

SHAPES

ORIENTATIONS

COLORS

APPLICATION POSSIBILITIES

POSITION SENSORS FOR
GEARBOX

ACTUATORS FOR
THROTTLE BUTTERFLY VALVES

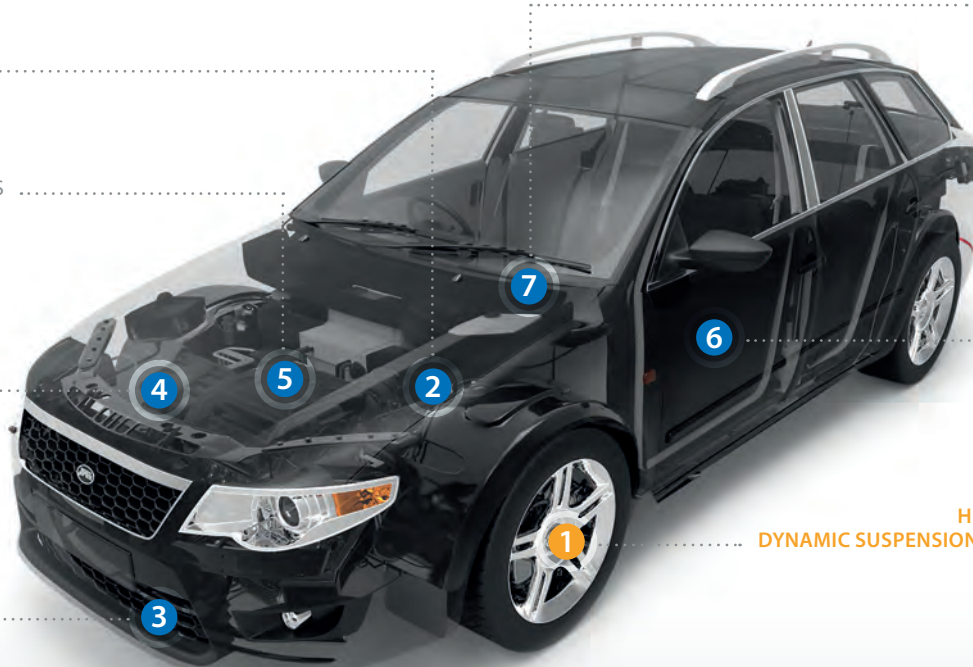
ACTUATORS FOR
INTAKE MANIFOLD FLAPS

ACTUATORS FOR
AERODYNAMIC FLAPS

ACTUATORS FOR AIR-CONDITIONING
AND HEATING FLAPS

ACTUATORS FOR
CLOSURE SYSTEMS

HEIGHT SENSORS FOR
DYNAMIC SUSPENSION & SMART LIGHTING



TECHNICAL SPECIFICATIONS

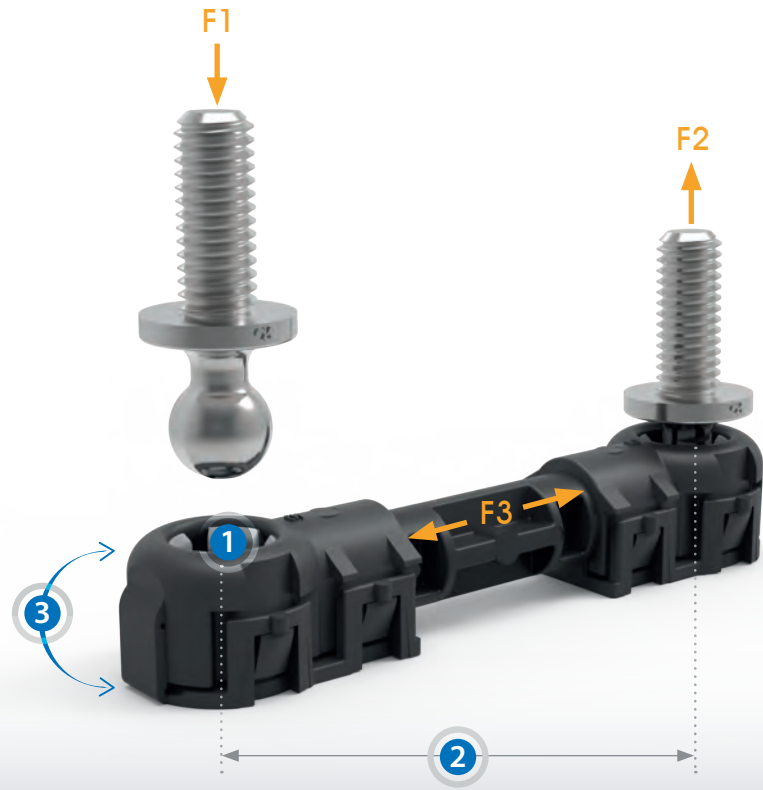
- 1 Clip diameter: 8 mm
Functional torque < 2 N m
- 2 Length: 35,5 mm to 180 mm
- 3 $\alpha=0^{\circ}-90^{\circ}-180^{\circ}-270^{\circ}$

F1: Push-in force < 40 N

F2: Pull-out > 100 N

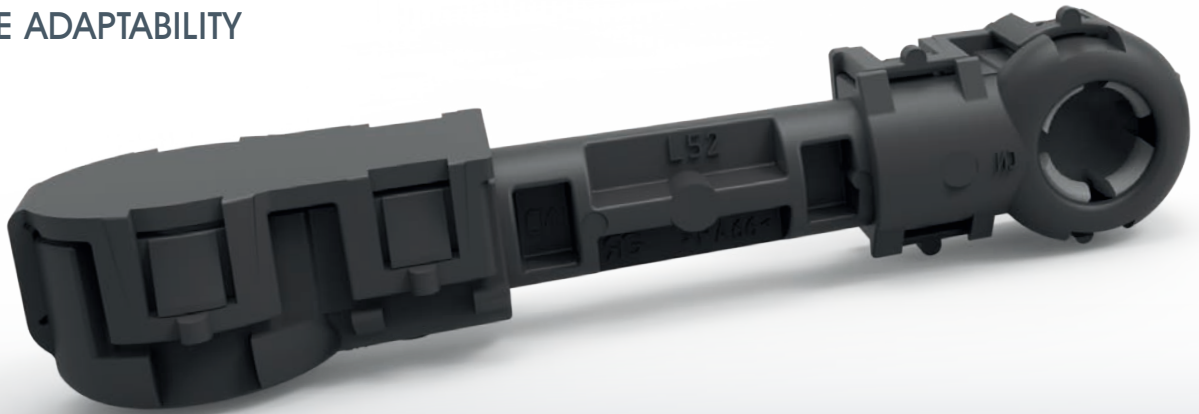
F3: Axial peak effort > 200 N

Impact resistance > 1 J at -30°C



KEY ADVANTAGES

- LOW PUSH-IN AND HIGH PULL-OUT FORCES
- AUTOMATIC GAP AND WEAR COMPENSATION
- LOW FUNCTIONAL TORQUE WITHOUT GREASE
- FULL SCALE ADAPTABILITY





ARAYMOND, CLOSE TO YOU EVERYWHERE



1 center of expertise

11 engineering centers

26 manufacturing sites in
25 countries

6,800 employees

More than 150 years of experience

YOUR CONTACTS WORLDWIDE

EMEA

CZECH REPUBLIC
HUNGARY, POLAND, ROMANIA, SLOVAKIA

+420 483 358 111
contact.cz@araymond-automotive.com

FRANCE
+33 4 76 33 49 49
contact.fr@araymond-automotive.com

GERMANY
+49 7621 174-0
contact.de@araymond-automotive.com

AMERICAS

BRAZIL
+55 19 3836-6900 / 6928 / 6924
contact.br@araymond-automotive.com

MEXICO
+1 248 853 2500
contact.us@araymond-automotive.com

USA & CANADA
+1 248 853 2500
contact.us@araymond-automotive.com

ITALY
+39 0161 937311
contact.it@araymond-automotive.com

MOROCCO
+212 529048613
contact.ma@araymond.com

RUSSIA
+7 8313 398111
contact.ru@araymond-automotive.com

ASIA

CHINA
+86 0511-85309100
contact.cn@araymond-automotive.com

INDIA
+91 2135 676 200
contact.in@araymond-automotive.com

JAPAN
+81 463 40 8600
contact.jp@araymond-automotive.com

SPAIN
+34 93 877 1314
contact.es@araymond-automotive.com

TURKEY
+90 262 658 1058
contact.tr@araymond-automotive.com

UNITED KINGDOM
+44 1732 871934
contact.uk@araymond-automotive.com

SINGAPORE
+ 65 6421 8424
contact.sg@araymond-automotive.com

SOUTH KOREA
+82 70 5055 5000
contact.kr@araymond-automotive.com

www.araymond-automotive.com

2018/07 © *RAYGROUP SASU, (Registered N°: Grenoble 487 947 483) – 113 Cours Berriat - 38000 Grenoble - France has designed this booklet.
** "ARaymond Network" means a network of companies which have a license of use of ARAYMOND™. This booklet is provided for information purposes only and does not constitute an offer or an agreement. RAYGROUP SASU makes no warranty or representation whatsoever, express or implied, including but not limited to the accuracy, reliability, novelty, completeness, fit for a particular purpose or merchantability of the information contained in it. If you need further information, please contact RAYGROUP SASU.

ARaymond ™
MORE THAN FASTENING