

PRODUCT INFORMATION

FASTENING & ASSEMBLY SOLUTIONS FOR SEATS



ARaymond ™
MORE THAN FASTENING

APPLICATION



ENVIRONMENT

Structural attachment.....

Foam and fabric.....

Wire harness and brackets.....

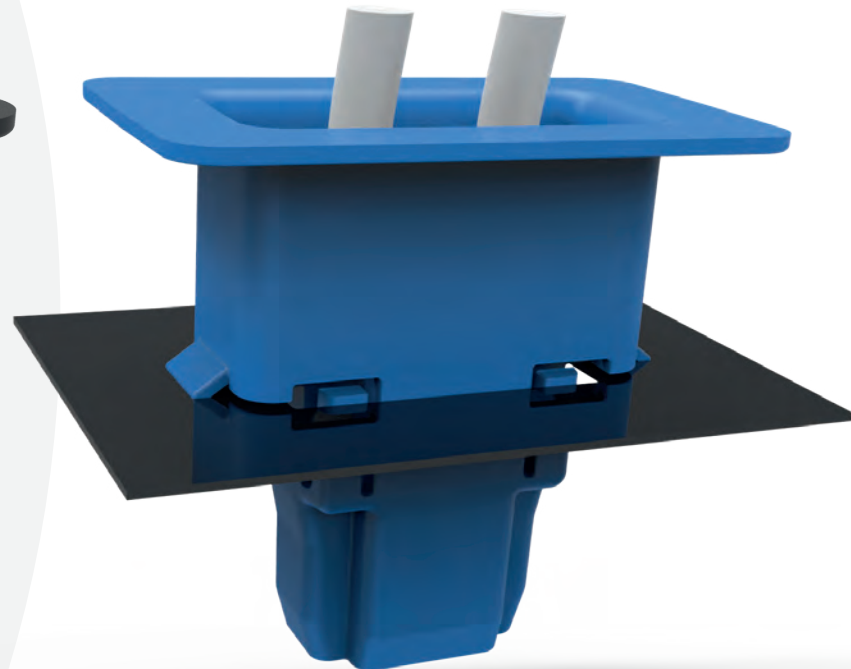
Mechanical
.....electric adjustment

.....Trim



STRUCTURAL ATTACHEMENT

REAR SEAT FASTENER



MODULE APPLICATION

- Rear seat back rest

PRODUCT ADVANTAGES

- Very big resistance to front and rear chock
- Gap compensation
- Possible disassembly with a tool

SHAFT AND LINKAGE FASTENER



Stud receiver



Linkage components

TUBE AND CABLE FASTENER



Tube holder



Tube holder

GUIDING AND LOCATING



Locating fastener



Guide



Springs

PROTECTING AND FINISHING



Plug and grommet

FOAM & FABRIC

SPECIAL FASTENER



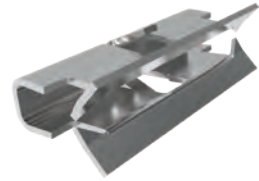
MODULE APPLICATION

- Seat cushion fastener

PRODUCT ADVANTAGE

- Clip getting overmolded with foamed material to ensure a proper fixation into the seat cushion
- The plate design of the clip allows a reliable and efficient overmolding process by the customer
- The anchor foot offers an easy assembly to the seat with low push-in forces and high pull-out forces

PANEL AND MOLDING FASTENER



Panel pin

Edge clip

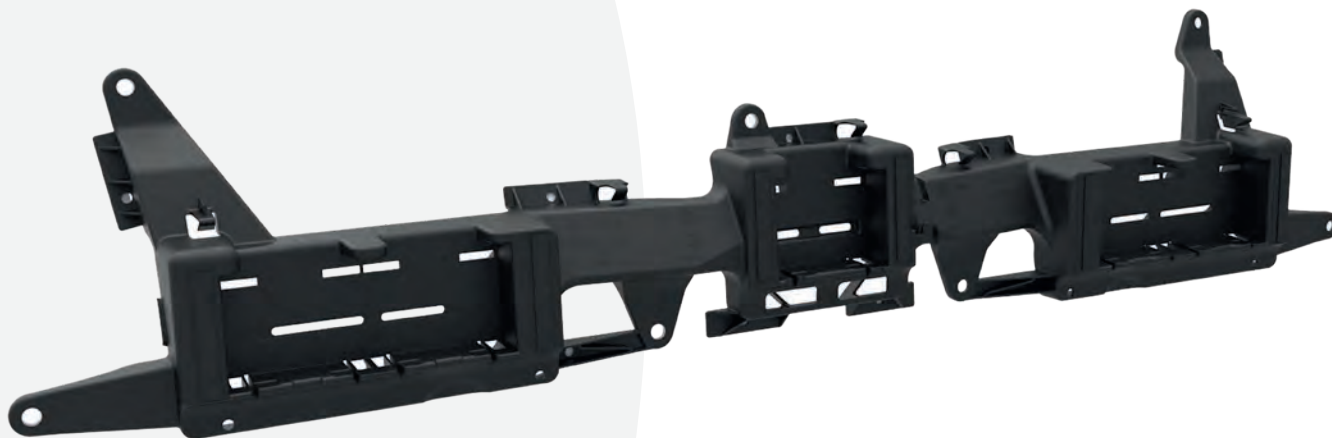
SUPPORTING AND REINFORCING



Hook

ELECTRICAL

CONNECTOR BRACKET



MODULE APPLICATION

- Holds the electrical connector of rear seat

PRODUCT ADVANTAGE

- Ensures function of electric connectors in different positions
- Helps to close electrical connections by spring force
- Vibration damping

TUBE AND CABLE FASTENER



Tube holder



Cable strap



Tape on clip



Spacer



Cable guide

TRIM

PLASTIC RIVET



MODULE APPLICATION

- Rivet for plastic cover

PRODUCT ADVANTAGE

- Easy assembly
- Customized color and surface



PANEL AND MOLDING FASTENER



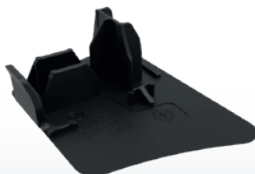
Snap on

Rivet



Flang clip

PROTECTING AND FINISHING



End cap

TUBE AND CABLE FASTENER



Tube holder

MECHANICAL & ELECTRICAL ADJUSTEMENT

PULLEY



MODULE APPLICATION

- Back rest recline mechanism

PRODUCT ADVANTAGE

- Ergonomic: low push-in force
- Mechanical performance: high pull-out force
- Automatic: gap and wear compensation
- Modular and interchangeable
- Light weight
- Clean assembly

GUIDING AND LOCATING



Locating fastener

TUBE AND CABLE FASTENER



Tube holder

SUPPORTING AND REINFORCING



Bearing

PROTECTING AND FINISHING

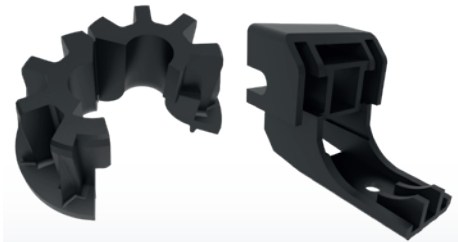


Protector

SHAFT AND LINKAGE FASTENER



Pulley



Linkage components

ARAYMOND, CLOSE TO YOU EVERYWHERE



1 center of expertise

11 engineering centers

26 manufacturing sites in
25 countries

6,800 employees

More than 150 years of experience

YOUR CONTACTS WORLDWIDE

EMEA

CZECH REPUBLIC HUNGARY, POLAND, ROMANIA, SLOVAKIA

+420 483 358 111
contact.cz@araymond-automotive.com

FRANCE
+33 4 76 33 49 49
contact.fr@araymond-automotive.com

GERMANY
+49 7621 174-0
contact.de@araymond-automotive.com

AMERICAS

BRAZIL
+55 19 3836-6900 / 6928 / 6924
contact.br@araymond-automotive.com

MEXICO
+1 248 853 2500
contact.us@araymond-automotive.com

USA & CANADA
+1 248 853 2500
contact.us@araymond-automotive.com

ITALY
+39 0161 937311
contact.it@araymond-automotive.com

MOROCCO
+212 529048613
contact.ma@araymond.com

RUSSIA
+7 8313 398111
contact.ru@araymond-automotive.com

ASIA

CHINA
+86 0511-85309100
contact.cn@araymond-automotive.com

INDIA
+91 2135 676 200
contact.in@araymond-automotive.com

JAPAN
+81 463 40 8600
contact.jp@araymond-automotive.com

SPAIN
+34 93 877 1314
contact.es@araymond-automotive.com

TURKEY
+90 262 658 1058
contact.tr@araymond-automotive.com

UNITED KINGDOM
+44 1732 871934
contact.uk@araymond-automotive.com

SINGAPORE
+ 65 6421 8424
contact.sg@araymond-automotive.com

SOUTH KOREA
+82 70 5055 5000
contact.kr@araymond-automotive.com

www.araymond-automotive.com

2019/01 © *RAYGROUP SASU, (Registered N°: Grenoble 487 947 483) – 113 Cours Berriat - 38000 Grenoble - France has designed this booklet.
** "ARaymond Network" means a network of companies which have a license of use of ARAYMOND™. This booklet is provided for information purposes only and does not constitute an offer or an agreement. RAYGROUP SASU makes no warranty or representation whatsoever, express or implied, including but not limited to the accuracy, reliability, novelty, completeness, fit for a particular purpose or merchantability of the information contained in it. If you need further information, please contact RAYGROUP SASU.

ARaymond ™
MORE THAN FASTENING